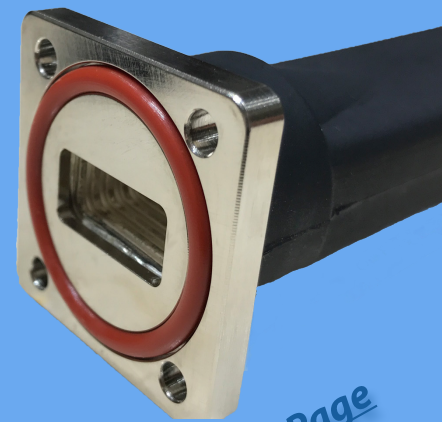


## Features:

- ◆ Robust Silver Plated Brass Core Construction
- ◆ Nickel Plated Brass Flanges
- ◆ High Strength Outer UV Coated Silicone Jacket
- ◆ Low Insertion and Return Loss
- ◆ Flexible and Twistable
- ◆ Hardware Kit Included With Each Flex
- ◆ Waveguide Protective Caps
- ◆ 5 Year Warranty

## Design Overview:

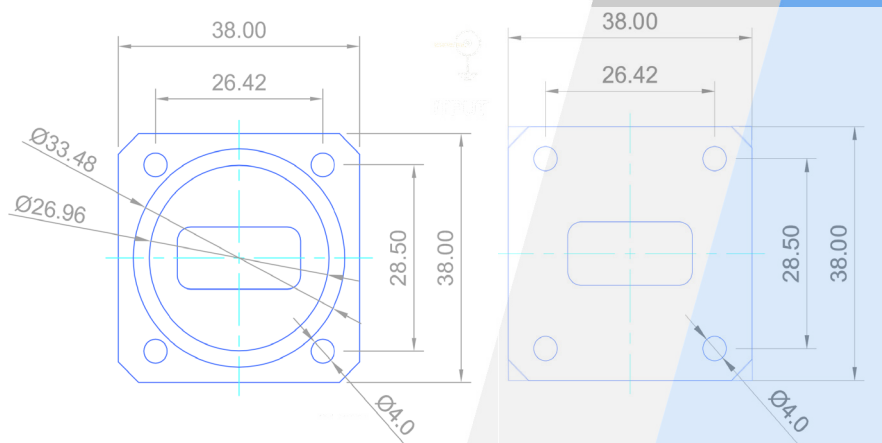
We put our in-house brilliant minded engineers to design and perfect a waveguide, which not only sustains its precision performance with its solid silver-plated brass core and nickel-plated brass flanges during the harshest environmental conditions, but can also reliably be used for many years requiring virtually no maintenance. We implemented the unique combination of silicone and rubberized material, then topped with a protective UV coating. We are the only company which can offer a 5 year warranty on our waveguides. Thousands of our flexes are used across the globe in various SATCOM applications such as Ground Station, Airborne, Marine, Mobile and Manpack type terminals. To reduce manufacturing cost we use an ISO Certified reliable and efficient quality mass production house.



[Visit Product Page](#)

TECHNICAL SPECIFICATIONS	
RF Frequency	10 -15 GHz
Flange Type	WR75
Length	3 ft (900 mm)
Core Material	Silver - Plated Brass
Flange Material	Nickel - Plated Brass
Insertion Loss	0.30 dB
Return Loss (VSWR)	27.0 dB
Flange Type	PBR 120 / UBR 120
Bend Radius	60 mm / E, 110 mm / H (min)
Torsion Angle	365° /m (max)
CW Power kW	0.80
Max Power MW	0.20
Operating Temperature Range	- 60 to 100° C
Jacket Material	UV Coated High Strength Silicone

### MECHANICAL FLANGE DRAWING



### ORDERING GUIDE

Model Code	Frequency Code	Waveguide Type	Waveguide Length (")	Flange End 1	Flange End 2
AM	K	075	36	F	G

Flange Code	Flange Type	Description
F	Flat	Flat / Plain Square Flange WR75F
G	O-Ring Groove	Grooved Square Flange WR75G
S	Special Order	Determined Upon Request