

# AMK075 - QD

WR75 Ku-Band 10 - 15 GHz UNIVERSAL QUICK DISCONNECT



## FEATURES:

- Robust Marine Grade Brass Core Construction
- Durable & High Strength
- Dual Silicone Gasket Seal
- Extremely Low Insertion and Return Loss
- Covers 10 -15GHz Ku-Band Frequencies
- Gasket Kit Included
- 5 Year Warranty

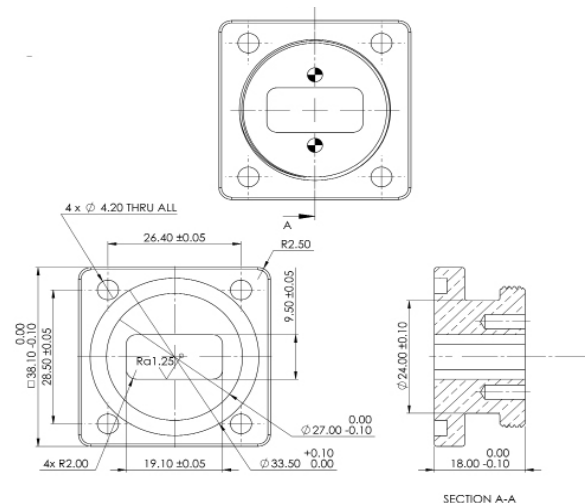
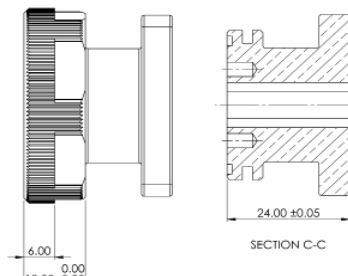
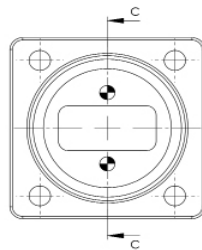
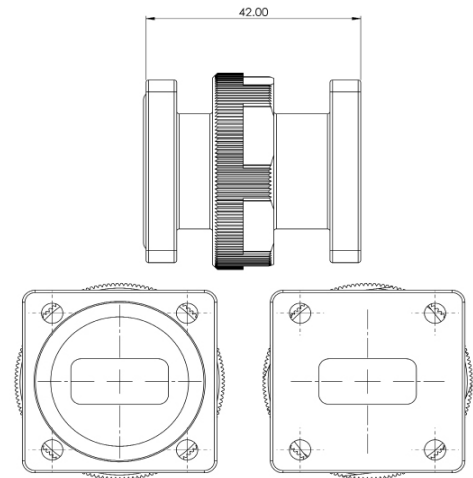


## ORDERING GUIDE

| Model Code | Frequency Code | Waveguide Flange Type | Waveguide Type | Flange End 1 | Flange End 2 |
|------------|----------------|-----------------------|----------------|--------------|--------------|
| AM         | K              | 075                   | QD             | F            | G            |

| Flange Code | Flange Type   | Description                      |
|-------------|---------------|----------------------------------|
| F           | Flat          | Flat / Plain Square Flange WR75F |
| G           | O-Ring Groove | Grooved Square Flange WR75G      |
| QD          | Screw On      | Quick Disconnect                 |



Visit Product Page