

# AMBT-05

## IN/OUTDOOR BIAS Tee for BUCs or LNB



### FEATURES:

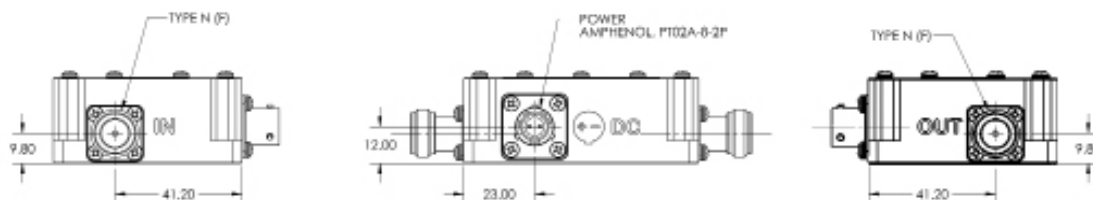
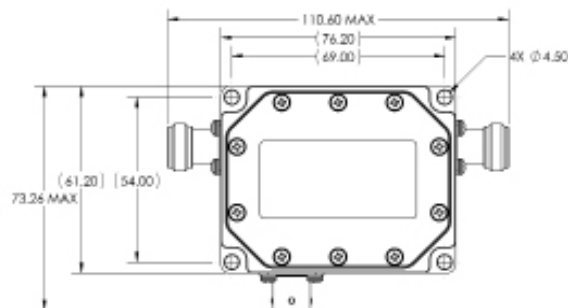
- Super Compact, Robust & Mountable
- Pass - through IF (L-Band), FSK, and 10 MHz Reference
- IP 67 Compliant
- Internal Polarity Protection
- Low Insertion and Return Loss
- Built - in DC filters
- 5 Year Warranty



### SPECIFICATIONS

<b>IF Input Signals</b>	Pass-through IF (L-Band), FSK, and 10MHz Referece from Modem
<b>IF Frequency Input</b>	950 to 2150 MHz
<b>FSK Frequency Input</b>	550 - 750 kHz
<b>External Auxilary DC Input Range</b>	12 to 60 Vdc, up to 5A
<b>DC Input Connector</b>	2 Pin, Pin A (+)   Pin B (-)
<b>Reference Input</b>	10 MHz
<b>Insertion Loss IF</b>	0.8 dB max over temp

<b>Insertion Loss FSK</b>	1.5 dB max over temp
<b>Insertion Loss 10MHz</b>	0.8 dB max over temp
<b>Coax Input / Output Connector</b>	N-type / N-type
<b>Operating   Storage Temperature</b>	- 40 to + 60 °C   - 60 to + 85 °C
<b>Relative Humidity</b>	100% non-condensing
<b>Weatherproof Rating</b>	Compliant with IP 67
<b>Dimensions   Weight</b>	2.9" x 2.3" x 1.1" inches (73.2 mm x 58.2 mm x 27 mm)   0.5 lbs (225 g)



Visit Product Page