

# AMBT-05R

OUTDOOR / INDOOR High Stability 10MHz  
Reference Bias Tee for BUC or LNB



## FEATURES:

- Super Compact, Robust & Mountable
- IFL Powered or External 12 - 60VDC up to 5A
- 10MHz Ref. AUTO SENSE & DETECT
- Pass - through DC, IF (L-Band), FSK, Int./Ext. Ref
- LED DC Power & Internal Reference Indicators
- IP 67 Compliant
- Internal Polarity Protection
- Low Insertion and Return Loss
- Built - in DC filters
- 3 Year Warranty

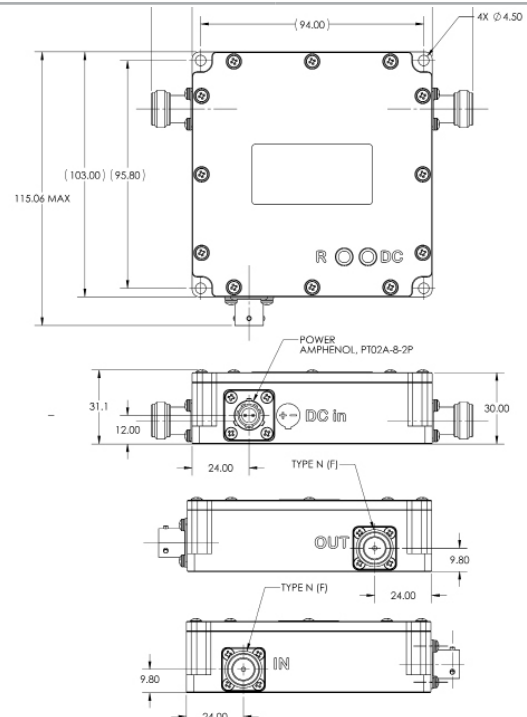


## SPECIFICATIONS

|  |   |
|--|---|
| <b>IF Input Signals Pass through</b>     | IF (L-Band), FSK, and 10MHz Ref.<br>Internal/External             |
| <b>IF Frequency Input</b>                | 950 to 2150 MHz   |
| <b>FSK Frequency Input</b>               | 550 - 750 kHz   |
| <b>External Auxiliary DC Input Range</b> | 12 to 60 Vdc, up to 5A  |
| <b>DC Input Connector</b>                | 2 Pin, Pin A (+)   Pin B (-)                                      |
| <b>Reference Input</b>                   | 10 MHz (Internal/External)  |
| <b>Insertion Loss IF</b>                 | 0.8 dB max over temp  |
| <b>Insertion Loss FSK</b>                | 1.5 dB max over temp  |
| <b>Insertion Loss 10MHz</b>              | 0.8 dB max over temp  |
| <b>Coax Input / Output Connector</b>     | N-type / N-type   |
| <b>Operating   Storage Temperature</b>   | - 40 to + 60 °C   - 60 to + 85 °C                                 |
| <b>Relative Humidity</b>                 | 100% non-condensing   |
| <b>Weatherproof Rating</b>               | Compliant with IP 67  |
| <b>Dimensions   Weight</b>               | 4" x 4" x 1.2" inches (101.2 mm x 103 mm x 30 mm) 1.3 lbs (590 g) |

## INTERNAL 10MHZ REFERENCE

|                                |  |
|--------------------------------|--|
| <b>Stability</b>               | $\pm 1 \times 10^{-8}$ maximum over temp.  |
| <b>Aging</b>                   | $\pm 1 \times 10^{-8}$ /year maximum   |
| <b>Phase noise (SSB)</b>       | -65 dBc/Hz @ 100 Hz    -135dBc/Hz<br>-75 dBc/Hz @ 1 kHz    -150dBc/Hz<br>-85 dBc/Hz @ 10 kHz    -155dBc/Hz<br>-95 dBc/Hz @ 100 kHz    -160dBc/Hz |
| <b>10MHz Output Level</b>      | 5dBm $\pm$ 2 dBm   |
| <b>Warm-Up Time at 25° C</b>   | <2 min   |
| <b>Total Power Consumption</b> | 3W Max   |



Visit Product Page