

AMKL-40W

GaAs + GaN Technology

THE WORLD'S SMALLEST OUTDOOR 40W Ku-Band BUCs



FEATURES:

- Hyper-Light Package Design Only 3.1lbs (1.4kg)
- Extreme Stability, Reliability and Performance
- Built-in HPA Overdrive Circuit Protection
- Built-in Optimized Linearization
- Built-in Ultra Receive Band Reject Filter
- Built-in Anti Vibration Technology
- Built-in DC Input Noise Suppression Filter
- Extreme GaN Linearity and Efficiency
- Exceeds ALL IESS-308/309 Phase Noise Standards
- Triple protection sealed waveguide output
- Field Replaceable IP69K Rated Fans
- Fully Assembled, and Rigorously Tested in the USA
- 3 Year Warranty



DESIGN OVERVIEW:

The "MINI BRICK" series Low(12.75 - 13.25GHz) Frequency 40W Ku-Band BUCs are the next generation of the World's Smallest feed-horn & boom-arm mountable BUCs in the industry, weighing-in only at 3.1lbs (1.4kg) and working at high temp up to 70°C.

PERFORMANCE SPECIFICATIONS

Operating RF Frequency	AMKL 12.75 - 13.25 GHz
Operating IF frequency	950 to 1450 MHz
Local Oscillator	11.80 GHz
Rated Output Power PSAT	40W 46.0 dBm
Linear Power SR @ -26dBc PLIN	32W 45.0 dBm
IMD3 (two tones) 3dB Back Off	-25 dBc max. 2 signal 5MHz apart at P-LINEAR
Spectral Regrowth at PLINEAR (QPSK at 1.5x and OQPSK at 1.0x symbol rate offset with 2dB back-off from rated power)	-30 dBc
10MHz External Ref. (Internal High Stability Optional)	10MHz Ref. Level: 0dBm +/- 5dBm Internal Ref. Stability +/- 0.1 ppm

COMPLIANCE INFORMATION

MIL - STD - 188/164C	MIL - STD - 461	ROHS, REACH, WEEE
MIL - STD - 810E	DO - 160 G	

SPURIOUS & PHASE NOISE

In-Band/Out-band Spurious	-60dBc max.	
Group Delay	Ripple 1 nsec point to point max.	
AM/PM Conversion	1.0°/dB max. at 3 dB output backoff	
Noise Power Density (TX)	-85dBm/Hz	
Noise Power Density (RX)	-155dBm/Hz (10.7 - 11.7 GHz)	
Phase Noise (Up Converter) (Ext. Ref.)	-55 dBc/Hz @ 10 Hz	-115dBc/Hz
	-65 dBc/Hz @ 100 Hz	-135dBc/Hz
	-75 dBc/Hz @ 1 kHz	-150dBc/Hz
	-85 dBc/Hz @ 10 kHz	-155dBc/Hz
	-95 dBc/Hz @ 100 kHz	-160dBc/Hz

POWER CONSUMPTION

40W 46.0 dBm PSAT	190W
32W 45.0 dBm PLIN	155W

PROTECTION

VOLTAGE	OVERTEMP	VSWR
SMART ALARMS IN THE M&C	MICROPHONIC	CURRENT

ENVIRONMENT SPECIFICATIONS

Environmental MIL-STD	Compliant with MIL-STD810E
Vibration MIL-STD	MIL-STD810F, Method 514.5
Operating Temperature Range	- 40° C to + 60°C
Storage Temperature Range	- 60°C to + 85°C
Fan Rating / Field Replaceable	IP69K
Humidity	100% Condensing, IP67 Rated
Shock	20 g peak, 11 msec, 1/2 sine
Altitude	21,500ft, 6,500m
Built-in Receive Reject Filter	Suppression by +60dB (min)

GAIN

Gain (Temperature Compensated)	65dB(min) 70 dB(typ.)
TX Gain Flatness	± 0.75 dB max. over 40 MHz
TX Gain variation 50MHz	± 0.5 dB
TX Gain variation 500MHz	± 1.5 dB

PART NUMBERING SYSTEM

AM- "MINI BRICK" MODEL SERIES

KU - Universal Ku-Band 13.75 - 14.50 GHz

KS - Standard Ku-Band 14.0 - 14.50 GHz

KL - Low Ku-Band 12.75 - 13.25 GHz

KD - Dual Ku-Band 13.75 - 14.50 GHz | 14.0 - 14.50 GHz

16 | 20 | 25 | 30 | 40 - Rated Power in Watts

N | F - 50 Ohm or 75 Ohm IF Input Connector Type

M - Full M&C Option RS232/485, SNMP, Ethernet

A - AC Power 85-260VAC (increases size and weight)

R - 10 MHz Ref. Auto Sense | Internal Reference

K - FSK Option

U - Universal Mounting Bracket

J - Weatherproof DC/RJ45 Cable Dongle

C xxxx - Custom RAL Color Code

L - Custom Language

P - Custom Part number

B - Custom Label

G - Custom Logo

T- Redundancy Ready

H - High Gain (+79dB - 82dB)

W - Weatherproof Pelican Style Case

O - Other Custom Option

X- Custom Cable

INPUT|OUTPUT INTERFACE

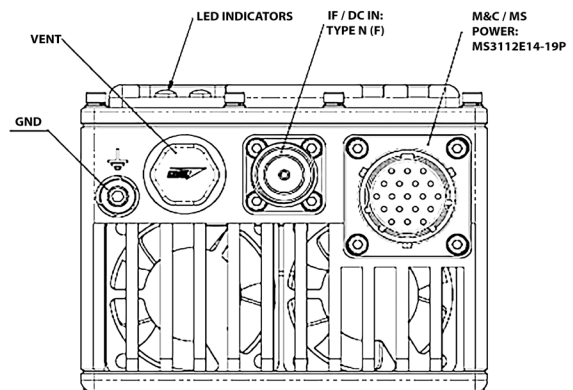
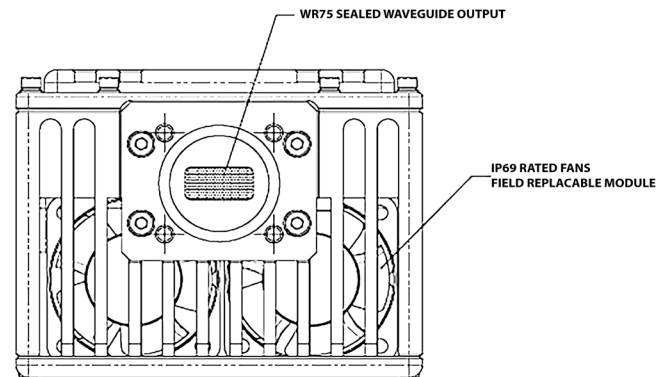
IF Connector	N-type (50 Ohm) F-type (75 Ohm)
Universal Prime Power via IF or MS/M&C Connector (7.0 A Current Limit Protection Through Coax)	+ 22 - 55 VDC
Output VSWR	1.3:1
Output Interface	WR75 Grooved
Input VSWR	1.5:1

M&C INTERFACE

Advanced Monitor & Control	Ethernet Web Page Based, SNMP, RS232/485, FSK (opt.)
ALARMS	PLL LOCK, HPA, VSWR, MUTE, TX
Stealth PLin Operation Mode	LED Shut-Off Silenced fans

MECHANICAL SPECIFICATIONS

Dimensions (DC Powered)	6" x 3.7" x 2.91" (152×94×74 mm) Without Connectors
Weight (DC Powered)	3.1lbs (1.4kg)



Visit Product Page