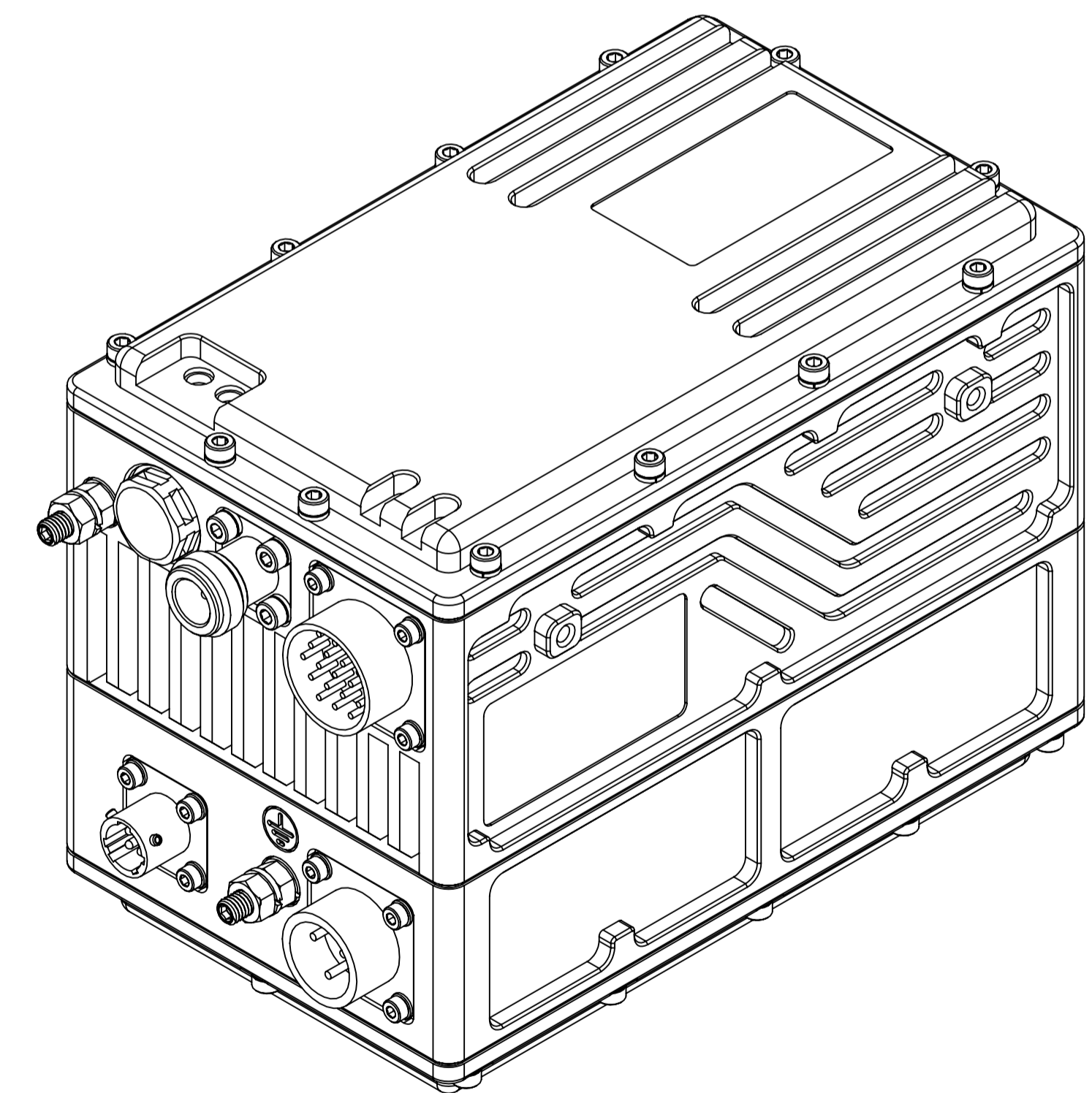
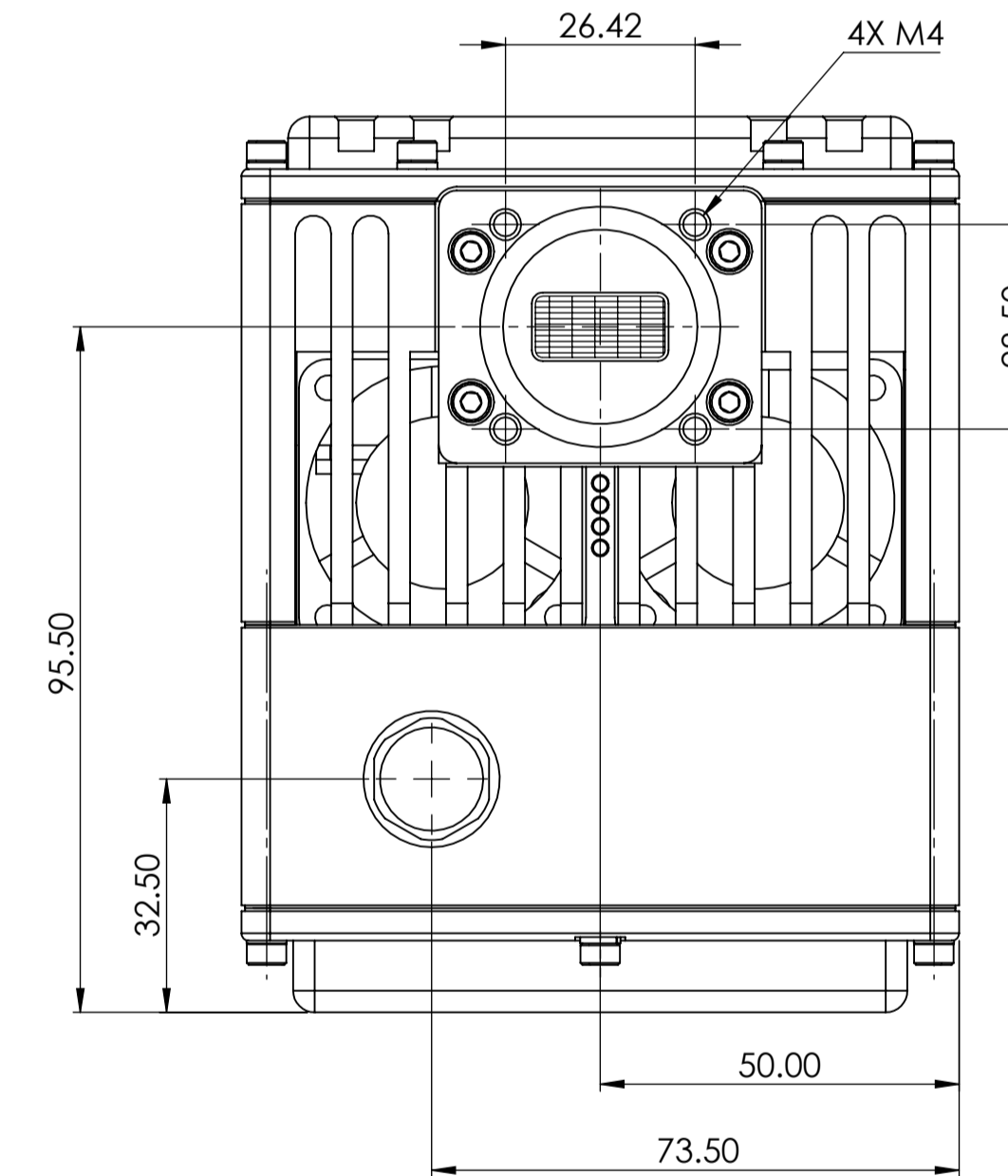
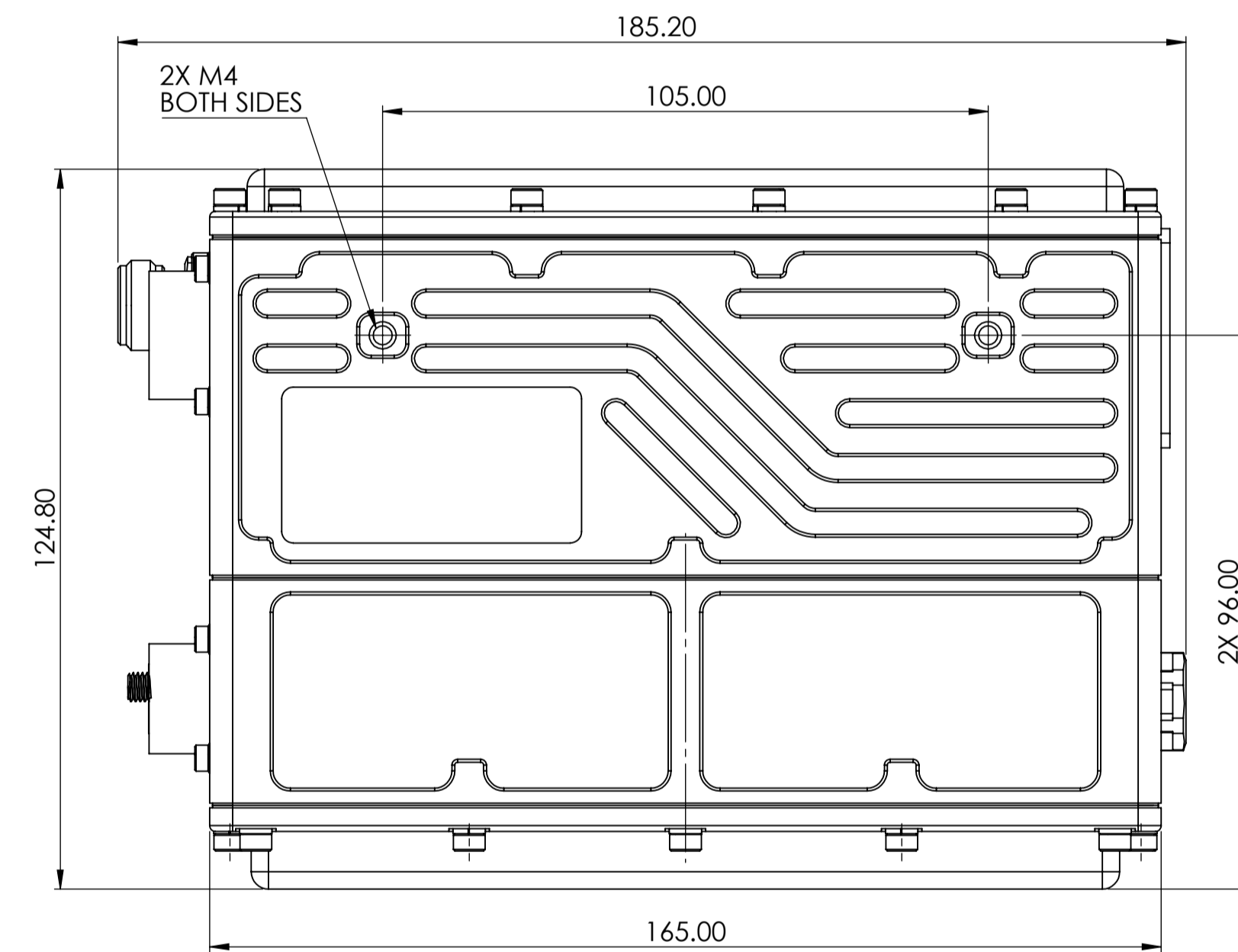
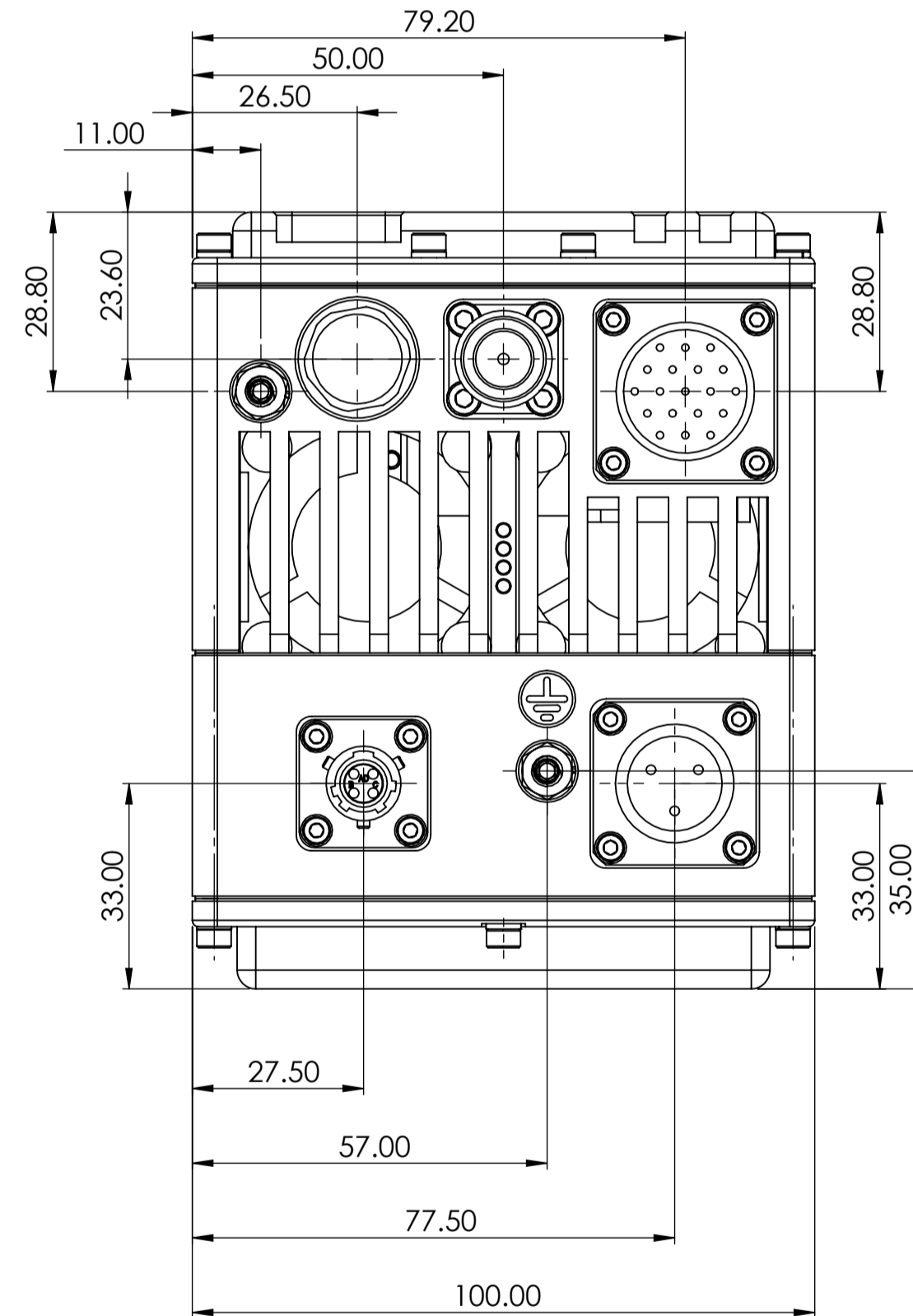
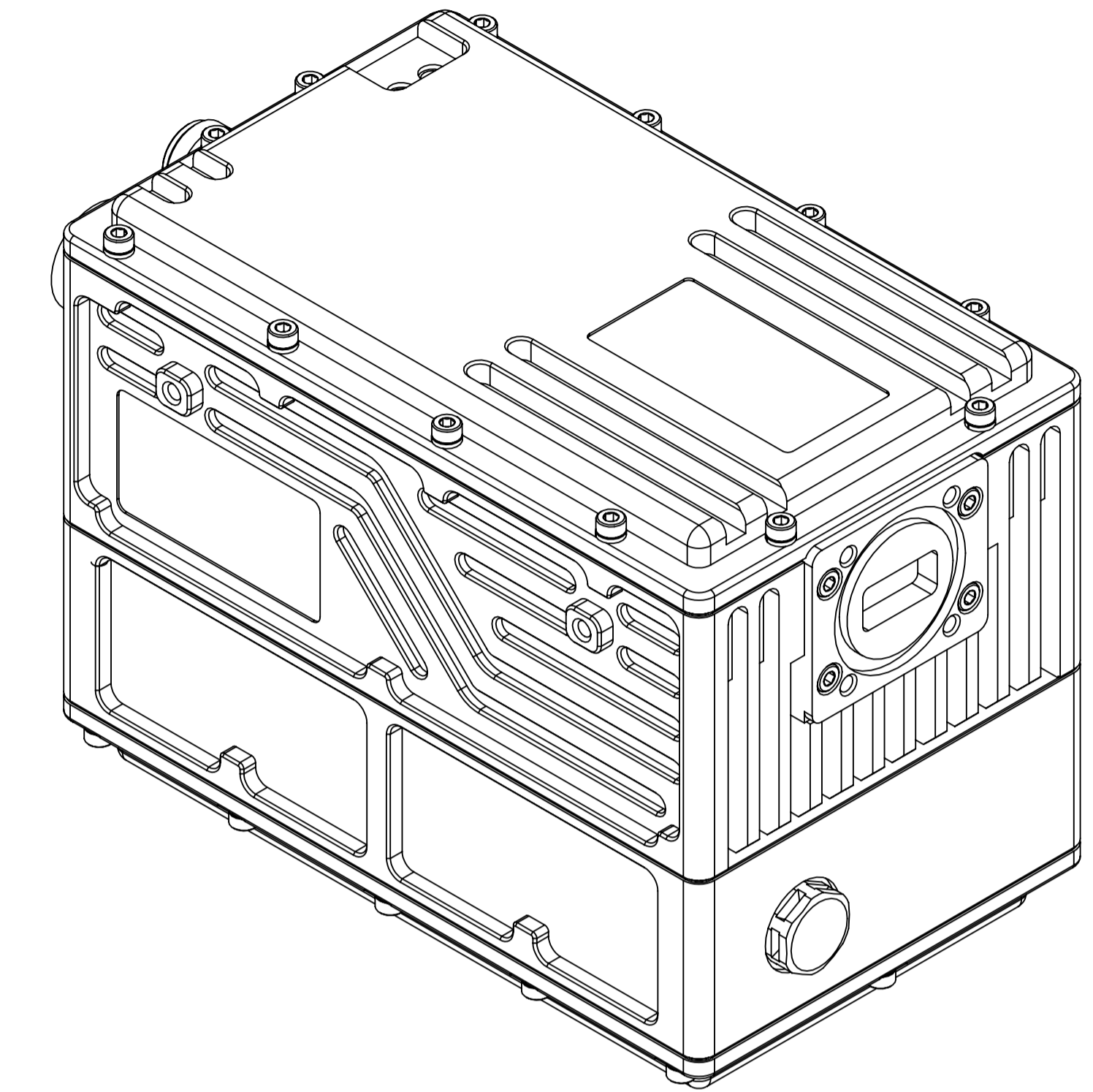
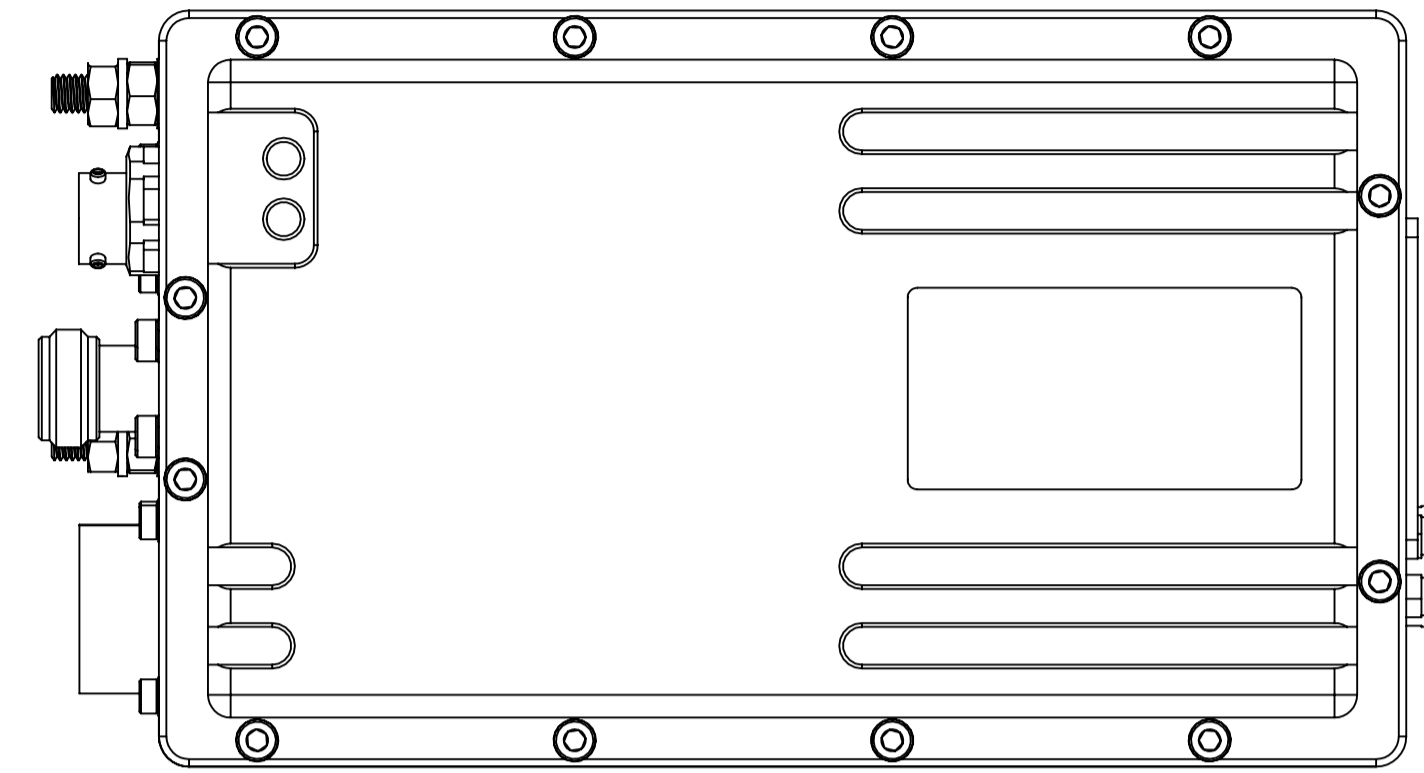


REVISIONS			
REV	CHANGE DESCRIPTION	DATE	NAME
A	INITIAL RELEASE	12JUN2023	AMKOM



THIS DOCUMENT CONTAINS PROPRIETARY TRADE SECRET AND CONFIDENTIAL INFORMATION WHICH IS THE PROPERTY OF AMKOM DESIGN GROUP INC. THIS DOCUMENT AND THE INFORMATION IT CONTAINS ARE NOT TO BE COPIED, DISTRIBUTED, OR DISCLOSED TO OTHERS, OR USED IN ANY MANNER OUTSIDE OF AMKOM DESIGN GROUP INC WITHOUT PRIOR WRITTEN APPROVAL OF AMKOM DESIGN GROUP INC.

UNLESS OTHERWISE SPECIFIED DIMENSIONS ARE IN MILLIMETERS, TOLERANCES AS SHOWN BELOW	
LINEAR	ANGULAR
X ± 1	X ± 2°
X.X ± 0.25	X.X ± 1°
X.XX ± 0.1	

INTERPRET DIMENSIONS AND TOLERANCES PER ISO OR ASME Y14.5M-1994
 DIMENSIONS SHOWN ARE FINISHED SIZES AND SHALL ALLOW FOR PLATING AND COATING, BUT NOT PAINTING
 GENERAL THREAD FIT 6H 6g

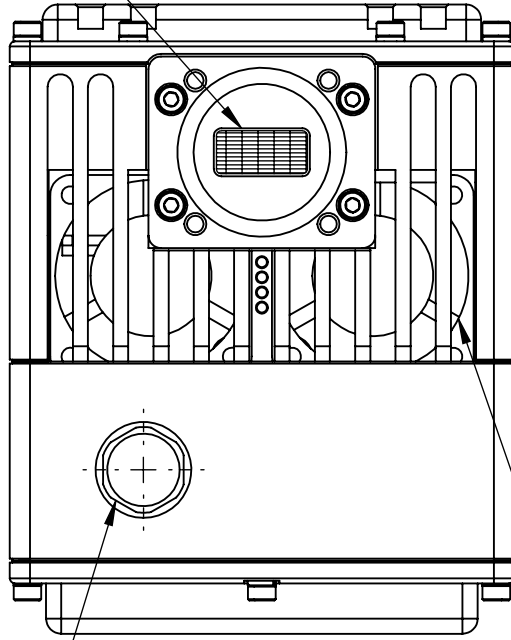
Amkom Design Group Inc.

DESCRIPTION
ALK BUC ASSEMBLY

SIZE A1	PART NUMBER	REV A
-------------------	-------------	-----------------

SHEET 1 OF 2

WR75 SEALED
WAVEGUIDE OUTPUT



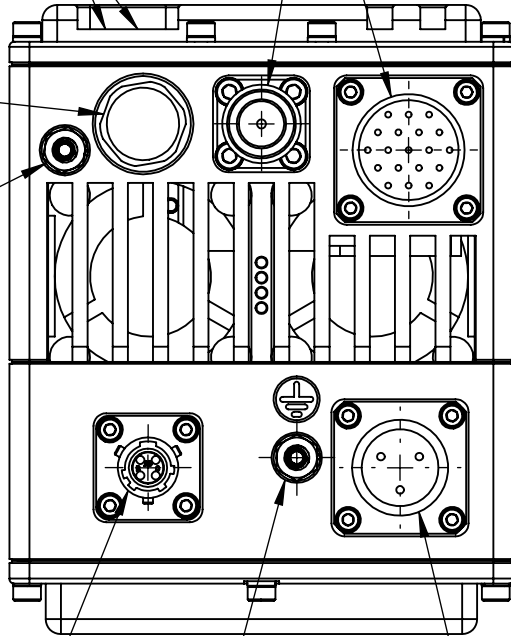
GORE
VENT

IP69K RATED FANS
FIELD REPLACABLE MODULE

LED INDICATORS IF / DC IN:
TYPE N (F) M&C / MC POWER:
PT02E-14-19P

GORE
VENT

GND



PT02A-8-4S

GND

PT02E-12-3P