

AMST-05N

IN/OUTDOOR BIAS Tee for BUCs



FEATURES:

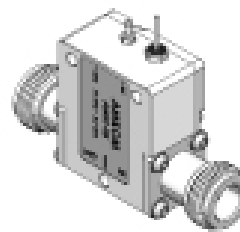
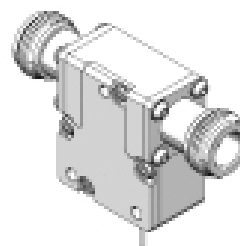
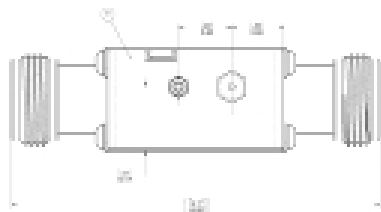
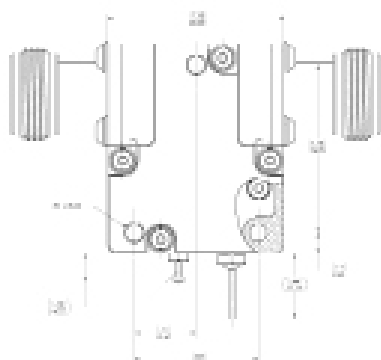
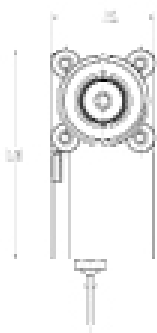
- Super Compact, Robust & Mountable
- Pass - through IF (L-Band), and 10 MHz Reference
- Low Insertion and Return Loss
- Filters out Fan noise
- RoHS Compliant
- 3 Year Warranty



SPECIFICATIONS

IF Input Signals	Pass-through IF (L-Band), and 10MHz Reference from Modem
IF Frequency Input	950 to 2150 MHz
DC Input Range	12 to 60 Vdc
DC Current	5A
Reference Input	10 MHz

VSWR	1.5:1 max
Insertion Loss IF	0.3 dB max over temp
Insertion Loss 10MHz	0.3 dB max over temp
Coax Input / Output Connector	N-type / N-type
Operating Storage Temperature	-40 to +55 °C - 60 to + 85 °C
Dimensions Weight	36×30×17.5 mm (without connectors)



Visit Product Page