

# ALKA-16NA

16 Ka-Band BUC 27.5 - 31.0 GHz



## FEATURES:

- Hyper-Light yet Robust Package: 5.5 lbs (2.5 kg)
- Superior Quality, Efficiency, Reliability and Performance
- Built-in HPA Overdrive Circuit Protection
- High Temperature Mode - up to + 70°C
- OPEN-BMIP Ready to Work with iDirect X7 and 950MP
- Complies with MIL-STD-188-164C, RTCA DO-160G, WGS
- Industry Leading Over Temperature Performance
- Field Replaceable IP68 Long Life Rated Fans
- Assembled and Rigorously Tested in the USA
- 3-Year Warranty



## DESIGN OVERVIEW:

The "LIGHTWEIGHT" series 27.5 - 31.0 GHz Frequency 16W Full Ka-Band BUCs are the next next generation of the AC Powered feed-horn & boom-arm mountable BUCs in the industry, weighing-in only at 5.5 lbs (2.5 kg) and working at high temp up to 70°C.

## PERFORMANCE SPECIFICATIONS

Operating RF Frequency	ALKA 27.5 - 31.0 GHz	
Operating IF frequency	950 - 1950   1000 - 2000 MHz	
Local Oscillator	Selectable	
Rated Output Power PSAT	ALKA-16	16W 42.0 dBm
Linear Power SR @ -26 dBc PLIN		10W 40.0 dBm
IMD3 (two tones) 3 dB Back Off	-25 dBc max. 2 signal 5MHz apart at P-LINEAR	
Spectral Regrowth at P-LINEAR (QPSK at 1.5x and OQPSK at 1.0x symbol rate offset with 3 dB back-off from rated power)	-30 dBc	
10 MHz or 50 MHz External Ref. 0 dBm +/- 5 dBm	10 MHz or 50 MHz	

## PROTECTION

VOLTAGE	OVERTEMP	VSWR
SMART ALARMS IN THE M&C	MICROPHONIC	CURRENT

## COMPLIANCE INFORMATION

MIL-STD-188/164C	DO-160G	ROHS, REACH, WEEE
MIL-STD-461E		

## SPURIOUS & PHASE NOISE

In-Band/Out-band Spurious	-60 dBc max.	
Group Delay	Ripple 1 nsec point to point max.	
AM/PM Conversion	2.0°/dB max. at 3 dB output backoff	
Noise Power Density (TX)	-80 dBm/Hz	
Noise Power Density (RX)	-150 dBm/Hz	
Phase Noise (Up Converter) (Ext. Ref.)	-33 dBc/Hz @ 10 Hz	-115dBc/Hz
	-63 dBc/Hz @ 100 Hz	-135dBc/Hz
	-73 dBc/Hz @ 1 kHz	-150dBc/Hz
	-83 dBc/Hz @ 10 kHz	-155dBc/Hz
	-93 dBc/Hz @ 100 kHz	-160dBc/Hz

## POWER CONSUMPTION

ALKA-16	16W 42.0 dBm PSAT	125W
	10W 40.0 dBm PLIN	75W

## GAIN

Gain (Temperature Compensated)	64 dB (min) 68 dB (typ.)
TX Gain Flatness	± 0.75 dB max. over 40 MHz
TX Gain variation 50MHz	± 0.5 dB
TX Gain variation 500MHz	± 1.5 dB

## ENVIRONMENTAL SPECIFICATIONS

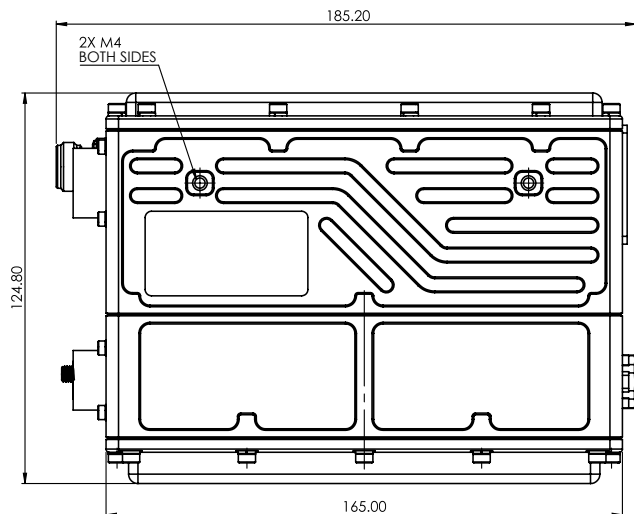
<b>Environmental MIL-STD</b>	Compliant with MIL-STD-810E
<b>Vibration MIL-STD</b>	MIL-STD-810F, Method 514.5
<b>Operating Temperature Range</b>	- 40°C to + 70°C
<b>Storage Temperature Range</b>	- 60°C to + 85°C
<b>Fan Rating / Field Replaceable</b>	IP68, Long Life
<b>Humidity</b>	100% Condensing, IP67 Rated
<b>Shock</b>	20 g peak, 11 msec, 1/2 sine
<b>Altitude</b>	50,000 ft, 15,240 m
<b>Built-in Receive Reject Filter</b>	Suppression by +60 dB (min)

## MECHANICAL SPECIFICATIONS

<b>Dimensions (AC Powered)</b>	6.5" x 3.94" x 4.93" (165 x 100 x 125 mm) Without Connectors
<b>Weight (AC Powered)</b>	5.5 lbs (2.5 kg)

## PART NUMBERING SYSTEM

AL - "LIGHTWEIGHT" MODEL SERIES  
 KAF - Full Ka-Band 27.5 - 31.0 GHz  
 KAC - Commercial Ka-Band 29.0 - 30.0 GHz  
 KAM - Military and Commercial Band 29 - 31.0 GHz  
 KAO - O3B Bands 27.652 - 28.388 GHz, 28.172 - 29.071 GHz  
 10 | 13 | 16 | 20 | 25 | 30 | 40 - Rated PSAT Power in Watts  
 N - 50 Ohm IF Input Connector (other interface options available)  
 A - AC Power 85-260 VAC (increases size and weight)  
 I - Isolator for VSWR Improvement to 1.35:1  
 M - M&C Option - RS232/485 + Ethernet + SNMP  
 O - OPENBMIP Protocol Ready  
 R - Auto Sense Ref Detector | Internal +/- 0.05ppm Stability  
 C - Custom color, housing or other options available  
 X - Custom option

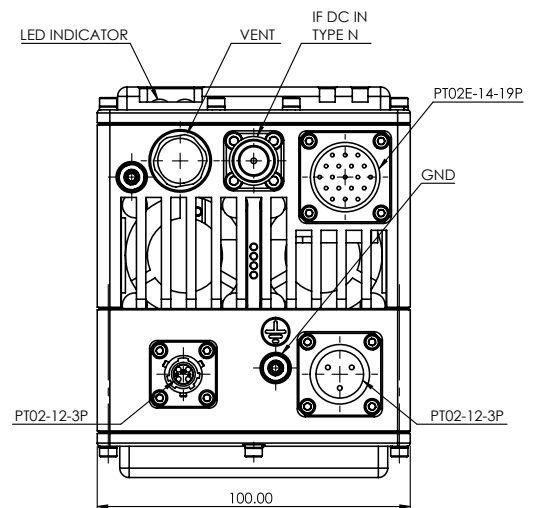
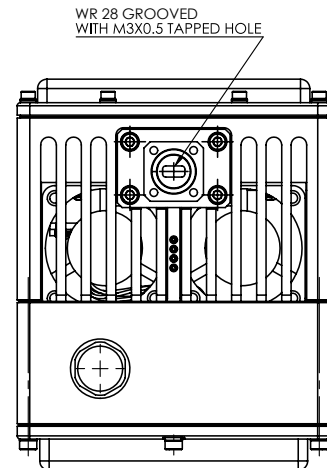


## INPUT|OUTPUT INTERFACE

<b>IF Connector</b>	N-type (50 Ohm)
<b>Universal Prime Power via IF or MS/M&amp;C Connector (7.0 A Current Limit Protection Through Coax)</b>	+ 85 - 265 VAC, 48VDC on M&C
<b>Output VSWR</b>	1.5:1 (1.35:1 with optional Isolator)
<b>Output Interface</b>	WR28 Grooved
<b>Input VSWR</b>	1.5:1

## M&C INTERFACE

<b>Advanced Monitor &amp; Control</b>	Ethernet Web Page Based, SNMP, RS232/485, FSK (opt.)
<b>ALARMS</b>	PLL LOCK, HPA, VSWR, MUTE, TX
<b>Stealth PLIN Operation Mode</b>	LED Shut-Off   Silenced fans



Visit Product Page