

AKLS-8W

Low cost 8W low Ku-Band BUCs



FEATURES:

- Low Cost Solution
- Extreme Efficiency, Stability, Reliability and Performance
- Hyper-Light Package, Only 1.1 lbs
- Super Low Power Consumption (30W* @8W)
- Fan-less Design (Customer cooling baseplate required)
- Exceeds ALL IESS-308/309 Phase Noise Standards
- 3-Year Warranty



DESIGN OVERVIEW:

The low cost "SLIM FAN-LESS BRICK" series low Ku-Band BUCs are the next generation of the World's Most efficient and compact size BUCs in the industry, weighing only 1.1 lbs and handling output power of 8W at the Ku-Band frequencies. We've picked the most mature, reliable and proven to be highly efficient amplifiers with internal overdrive protection. Each unit is vigorously tested at our California facility according to our ATP (Acceptance Testing Procedure).

PERFORMANCE SPECIFICATIONS

Operating RF Frequency	AKLS 12.75 - 13.25 GHz
Operating IF frequency	950 - 1450 MHz
Local Oscillator	11.80 GHz
Rated Output Power PSAT	8W 39.0 dBm
Linear Power SR @-26 dBc PLIN	6W 37.8 dBm
IMD3 (two tones) 3 dB Back Off	-25 dBc max. 2 signal 5 MHz apart at P-LINEAR
Spectral Regrowth at P-LINEAR (QPSK at 1.5x and OQPSK at 1.0x symbol rate offset with 2 dB back-off from rated power)	-30 dBc

SPURIOUS & PHASE NOISE

In-Band/Out-band Spurious	-60 dBc max.
Group Delay	Ripple 1 nsec point to point max.
AM/PM Conversion	1.0°/dB max. at 3 dB output backoff
Noise Power Density (TX)	-85 dBm/Hz
Noise Power Density (RX)	-155 dBm/Hz (10.95 - 12.75 GHz)
Phase Noise (Up Converter) (Ext. Ref.)	-55 dBc/Hz @ 10 Hz -115 dBc/Hz -65 dBc/Hz @ 100 Hz -135 dBc/Hz -75 dBc/Hz @ 1 kHz -150 dBc/Hz -85 dBc/Hz @ 10 kHz -155 dBc/Hz -95 dBc/Hz @ 100 kHz -160 dBc/Hz

POWER CONSUMPTION

8W 39.0 dBm PSAT	30W
6W 37.8 dBm PLIN	20W

COMPLIANCE INFORMATION

MIL-STD-188/164C	DO-160G	ROHS, REACH, WEEE
MIL-STD-461E		

PROTECTION

VOLTAGE	OVERTEMP	CURRENT
SMART ALARMS IN THE M&C	MICROPHONIC	

ENVIRONMENT SPECIFICATIONS

Environmental MIL-STD	Compliant with MIL-STD810E
Vibration MIL-STD	MIL-STD810F, Method 514.5 C-2 Transport
Operating Temperature Range	- 40° C to + 70° C
Storage Temperature Range	- 60° C to + 85° C
Humidity	100% Condensing, IP67
Shock	20 g peak, 11 msec, 1/2 sine
Altitude	50,000 ft, 15,240 m

M&C INTERFACE

Advanced Monitor & Control	RS232 (RS485, Ethernet Web Page Based, Telnet)*
ALARMS	PLL LOCK, HPA, MUTE, TX
Stealth PLIN Operation Mode	LED Shut-Off Silenced fan

PART NUMBERING SYSTEM

- S - Slim Size Series
- F - Fan-less Series
- G - Fan-less and Slim Series
- KU - Universal Ku-Band 13.75 - 14.50 GHz
- KS - Standard Ku-Band 14.0 - 14.50 GHz
- KL - Low Ku-Band 12.75 - 13.25 GHz
- KD - Dual Ku-Band 13.75 - 14.50 GHz | 14.0 - 14.50 GHz
- 6 | 8 | 10 | 12 | 16 | 20 - Rated Power in Watts
- N | F - 50 Ohm or 75 Ohm IF Input Connector Type
- M1 - M&C Option RS232 Only
- M2 * - RS232/485, Ethernet, SNMP, Telnet
- E - Power through MC connector
- R - 10 MHz Ref. Auto Sense | Internal Reference
- B - Custom Label
- H - High Gain +5 dB
- U - Universal Mounting Bracket
- C xxxx - Custom RAL Color Code
- X - Custom Cable

* Advanced M&C option coming soon

INPUT|OUTPUT INTERFACE

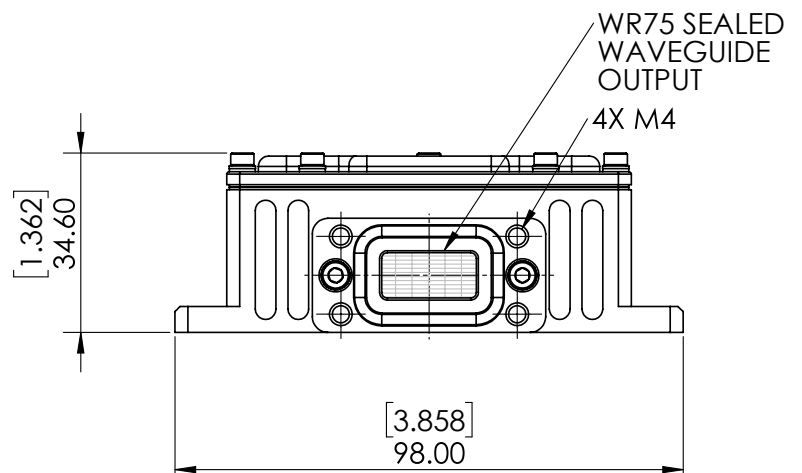
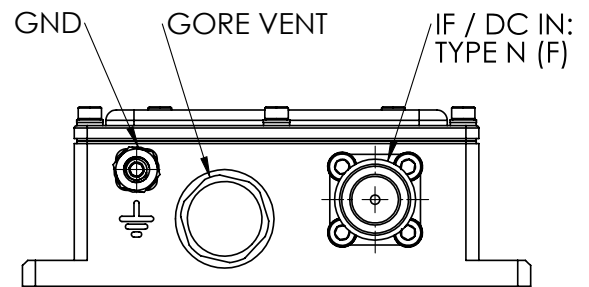
IF Connector	N-type (50 Ohm) F-type (75 Ohm)
Universal Prime Power via IF	+ 18 - 55 VDC
Output Interface	WR75 Sealed & Grooved

GAIN

Gain (Temperature Compensated)	55 dB (min) 60 dB (typ.)
TX Gain Flatness	± 0.75 dB max. over 40 MHz
TX Gain variation 50 MHz	± 0.5 dB
TX Gain variation 500 MHz	± 1.5 dB

MECHANICAL SPECIFICATIONS

Dimensions	6.1" x 3.9" x 1.4" (153 x 98 x 35mm)
Weight	1.1 lbs (0.5 kg)



Visit Product Page