

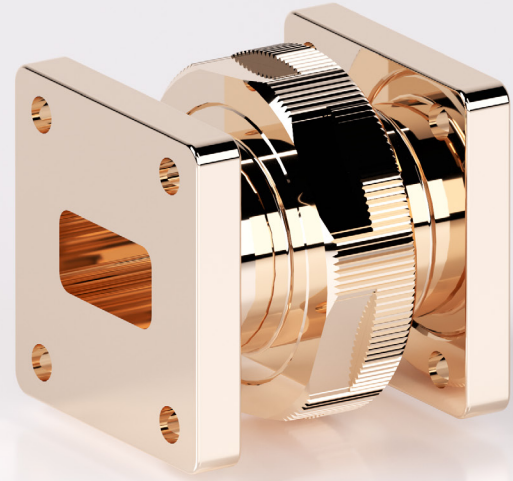
AMK075 - QD

WR75 Ku-Band 10 - 15 GHz UNIVERSAL QUICK DISCONNECT



FEATURES:

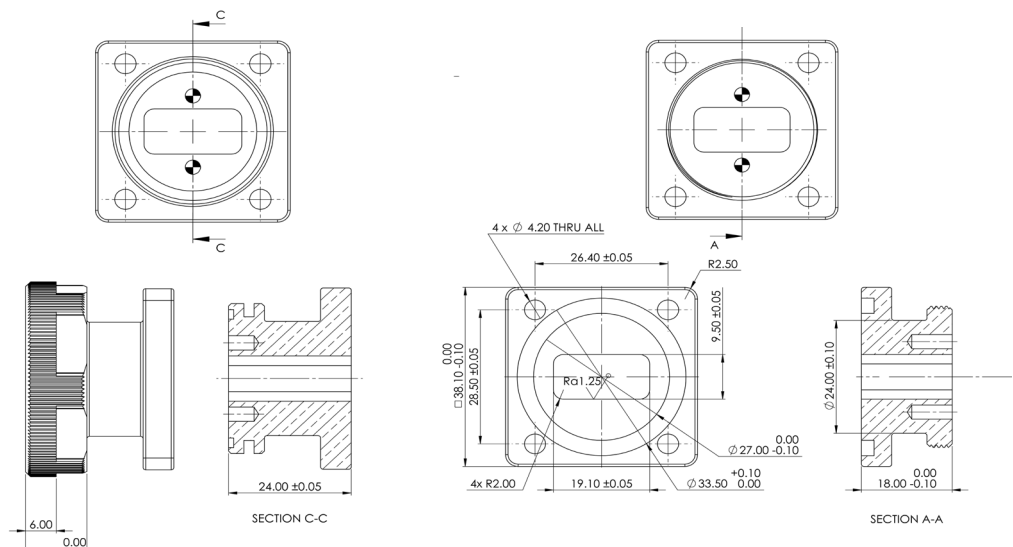
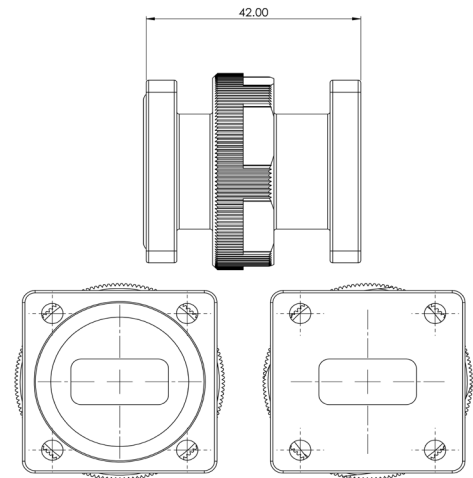
- Robust Marine Grade Brass Core Construction
- Durable & High Strength
- Dual Silicone Gasket Seal
- Extremely Low Insertion and Return Loss
- Covers 10 -15GHz Ku-Band Frequencies
- Gasket Kit Included
- 5 Year Warranty



ORDERING GUIDE

Model Code	Frequency Code	Waveguide Flange Type	Waveguide Type	Flange End 1	Flange End 2
AM	K	075	QD	F	G

Flange Code	Flange Type	Description
F	Flat	Flat / Plain Square Flange WR75F
G	O-Ring Groove	Grooved Square Flange WR75G
QD	Screw On	Quick Disconnect



Visit Product Page